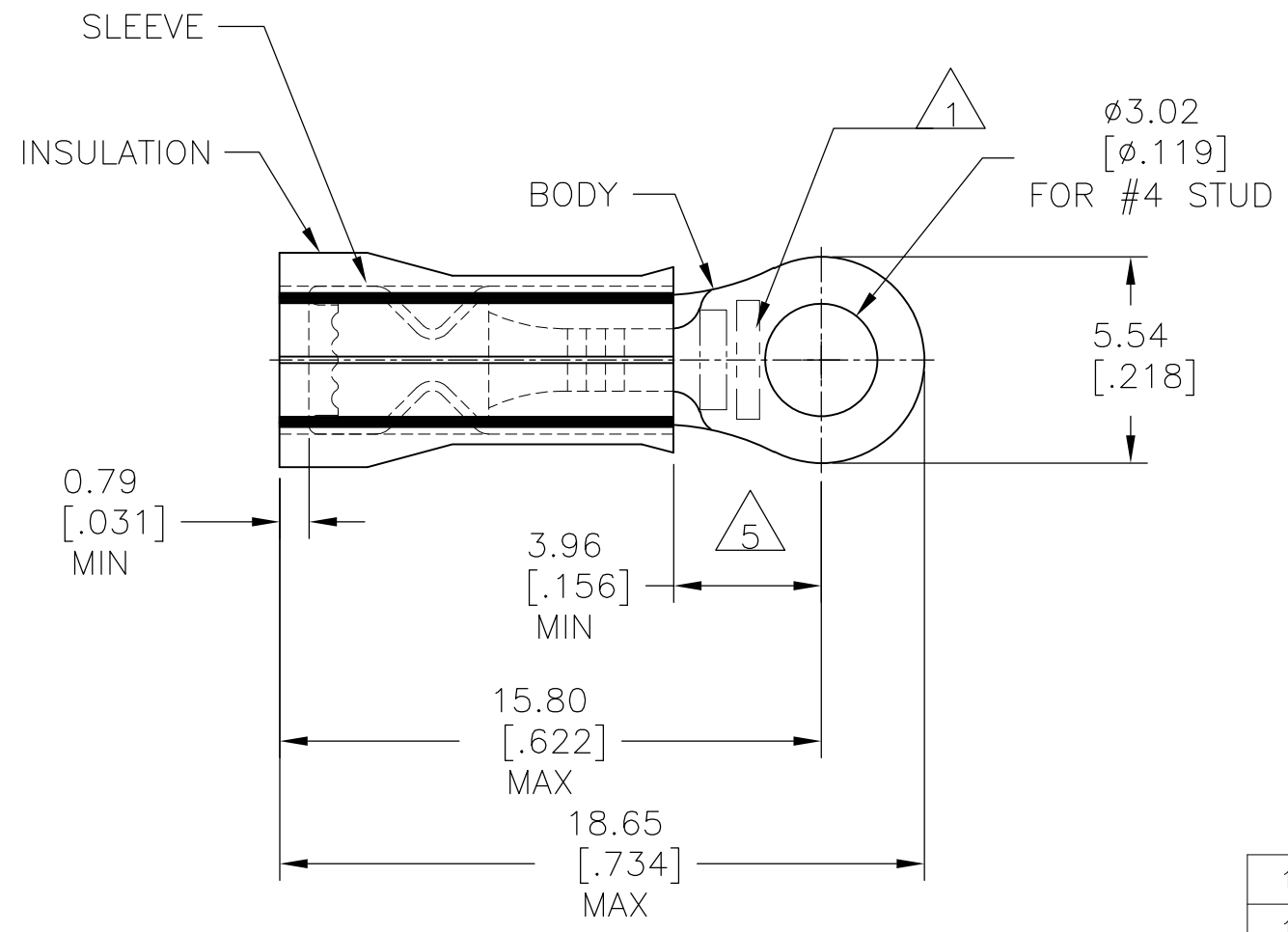


THIS DRAWING IS UNPUBLISHED. RELEASED FOR PUBLICATION
 © COPYRIGHT - By - ALL RIGHTS RESERVED.

REVISIONS				
P	LTR	DESCRIPTION	DATE	APVD
	N1	REVISED PER ECO-16-003307	08MAR2016	NK DR

AMP
WIRE RANGE

22-16 AWG
SOLID OR STRANDED



- 1 STAMP "AMP []", (SEE TABLE) APPROX AS SHOWN.
- 2 WIRE INSULATION DIA: SEE TABLE.
- 3 TONGUE MATERIAL THK: 0.79±0.05 [.031±.002].
- 4 BODY & SLEEVE: CU PER ASTM B152
BODY & SLEEVE: TIN PLATE .000100 MIN
EXT THK PER ASTM B545
INSULATION: NYLON PER ASTM D4066, COLOR - RED.
- 5 APPLIES FROM EDGE OF METAL WIRE BARREL TO CENTER OF STUD HOLE.
- 6 MEETS M7928/1-11, CLASS 1 & 2.
- 7 MEETS M7928/1-20, CLASS 1 & 2.
- 8 MEETS M7928/1-29, CLASS 1 & 2.

QTY	PACKAGE TYPE	WIRE STAMPING	WIRE INSUL. DIA	WIRE SIZE	COLOR CODE	MATERIAL FINISH	PART NO
100	LOOSE PIECE, BOX	18*	1.42[.056]-2.79[.110]	18	WHITE	4	9-52273-1
100	LOOSE PIECE, BOX	20*	1.17[.046]-2.79[.110]	20	RED		8-52273-1
500	LOOSE PIECE	18*	1.42[.056]-2.79[.110]	18	WHITE	8	52273-2
500	LOOSE PIECE	20*	1.17[.046]-2.79[.110]	20	RED		52273-1
500	LOOSE PIECE	22*	0.97[.038]-2.79[.110]	22	GREEN		52273

CUSTOMER SERVICE SYSTEMS		MAX RECOMMENDED OPERATING TEMPERATURE: 105°C[221°F] MAX
FOR ADDITIONAL PRODUCT INFORMATION OR COPIES OF DRAWINGS AND TECHNICAL DOCUMENTS	PRODUCT INFORMATION CENTER 1-800-522-6752	VOLTAGE RATING: 300 V MAX
FOR APPLICATION TOOLING INFORMATION	TOOLING ASSISTANCE CENTER 1-800-722-1111	CIRCULAR MIL AREA: 0.26-1.65mm²[509-3,260] STRANDED OR SOLID
FOR ORDER ENTRY	1-800-526-5142	

THIS DRAWING IS A CONTROLLED DOCUMENT.	
DIMENSIONS: mm [INCHES]	TOLERANCES UNLESS OTHERWISE SPECIFIED: 0 PLC ± - 1 PLC ± - 2 PLC ± - 3 PLC ± 0.20[.008] 4 PLC ± - ANGLES ± -
MATERIAL SEE TABLE	FINISH SEE TABLE

DWN JR RUTH 13JAN10	STE TE Connectivity	
CHK T MICHELUTTI 13JAN10		
APVD T MICHELUTTI 13JAN10	NAME TERMINAL, RING TONGUE, PIDG, INSULATION RESTRICTING, WIRE SIZE: 22-16 AWG	
PRODUCT SPEC	SIZE A3	CAGE CODE 00779
APPLICATION SPEC	DRAWING NO C-52273	RESTRICTED TO -
WEIGHT -	CUSTOMER DRAWING	
SCALE 5:1		SHEET 1 OF 1
REV N1		